

FIG. 1

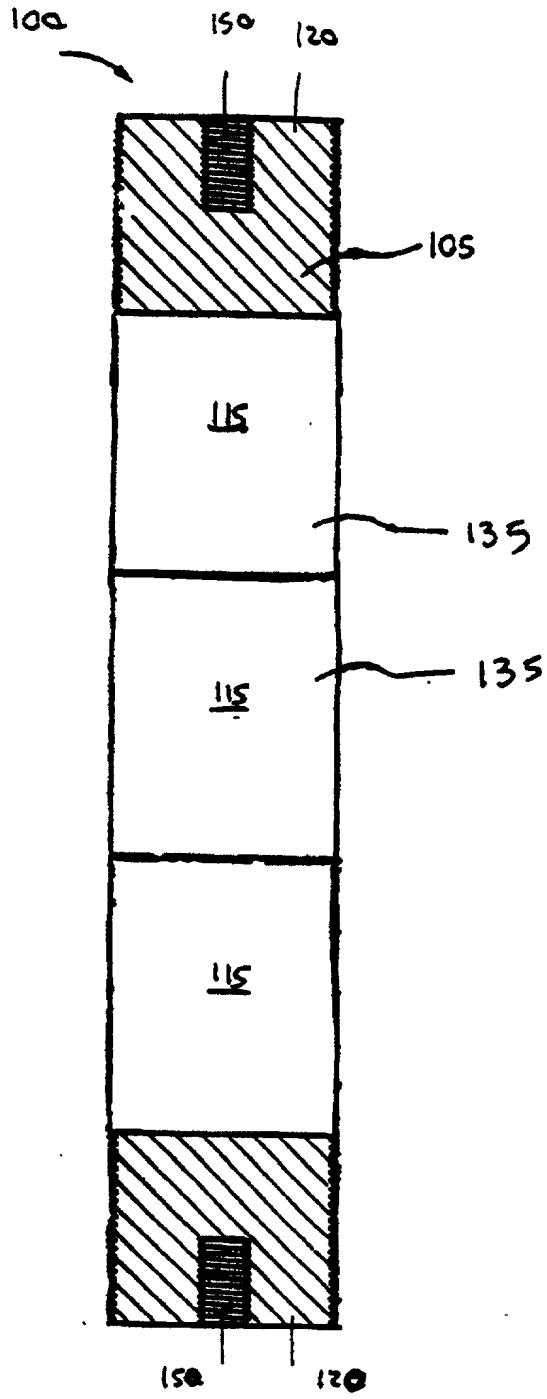


FIG. 1

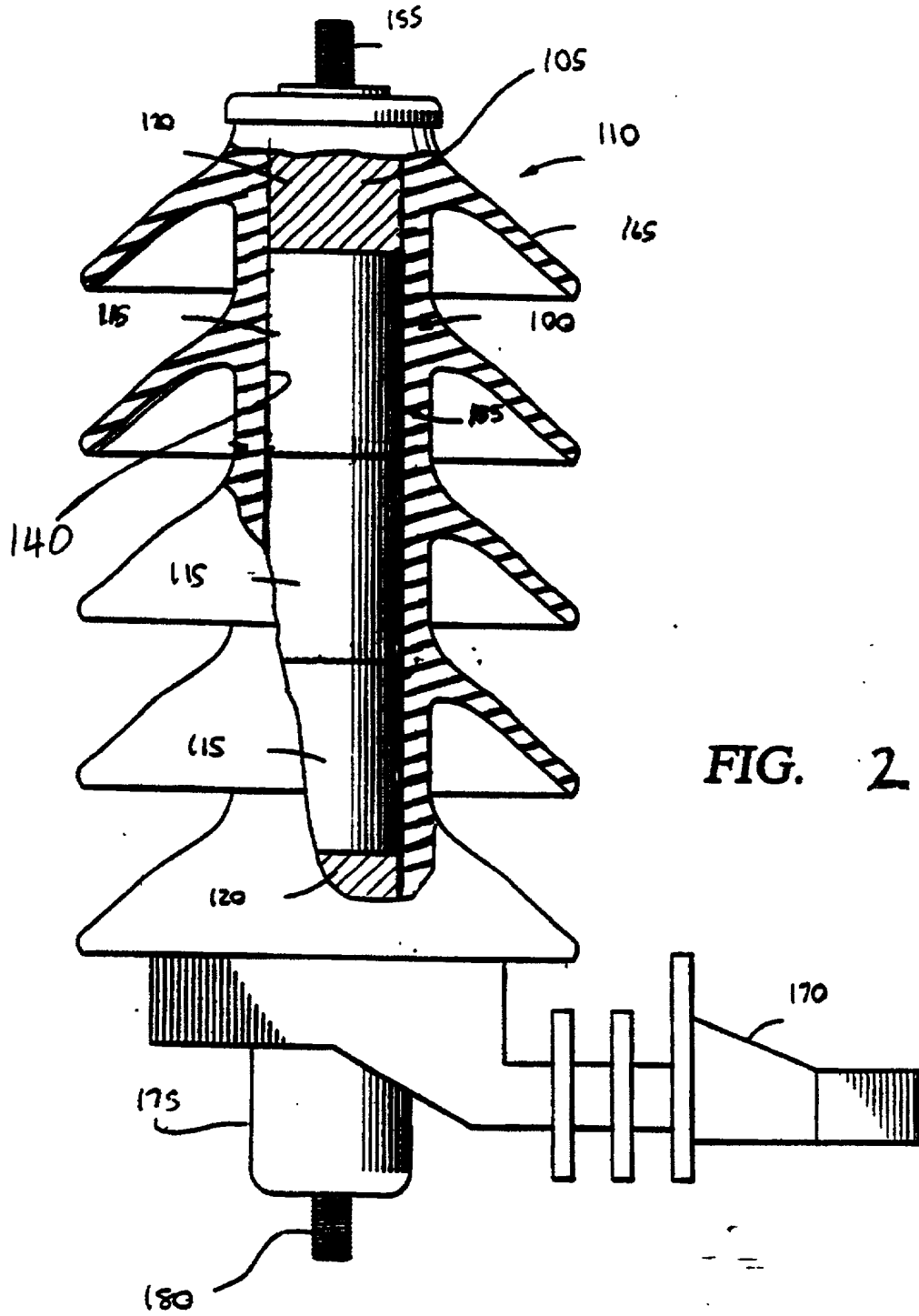


FIG. 2

TECHNOLOGY

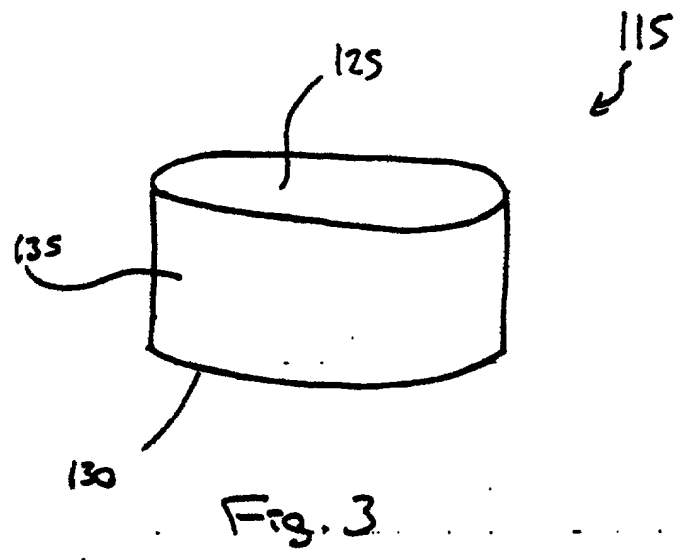


Fig. 3

FOR PUBLICATION

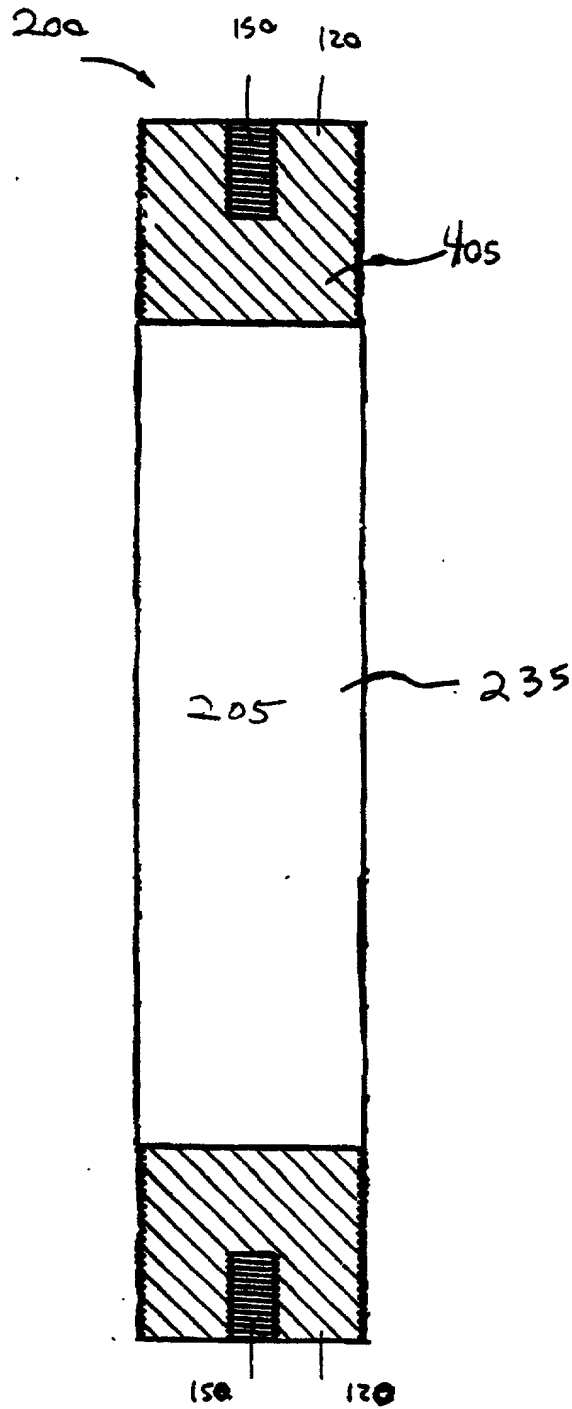


FIG. 4

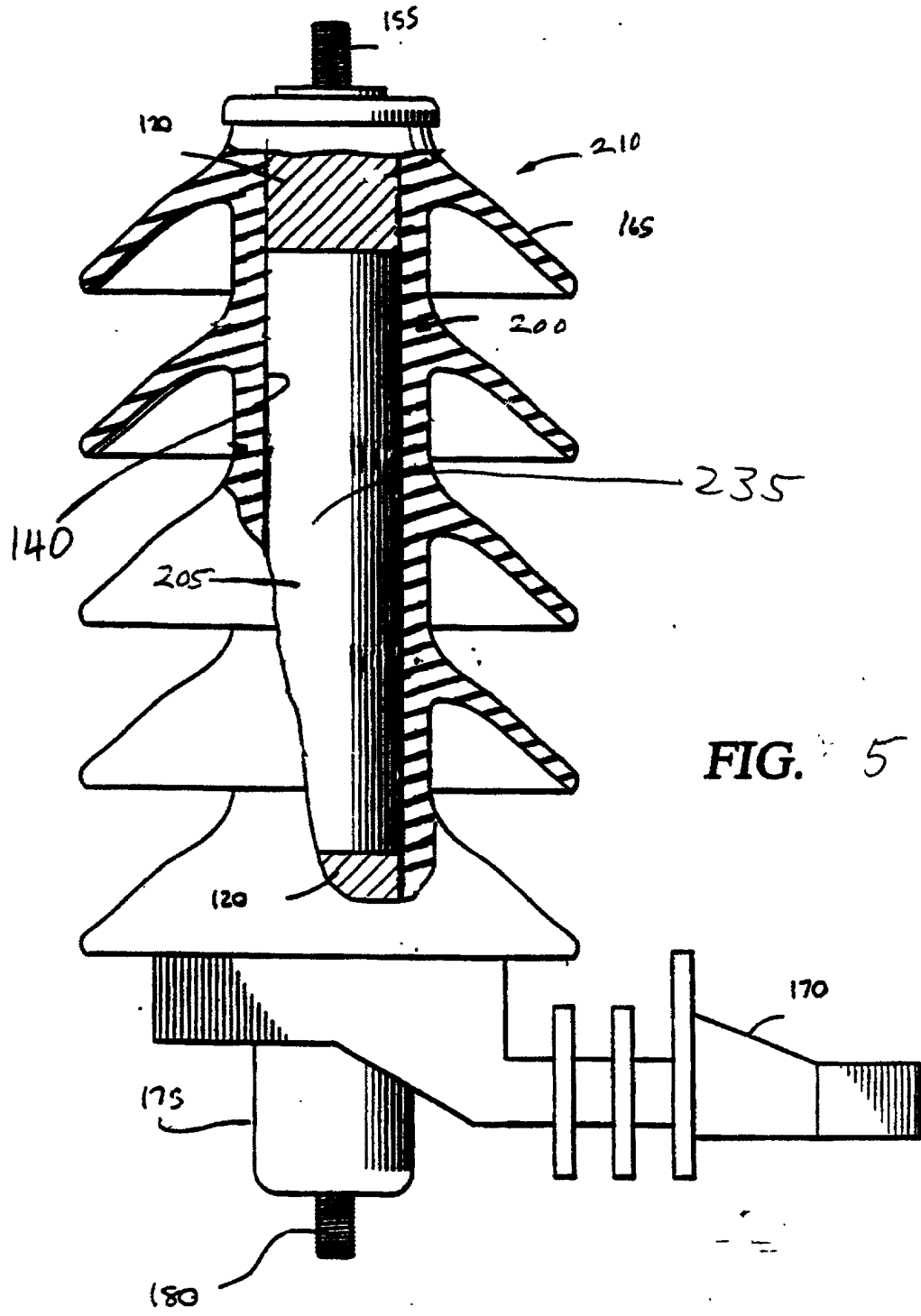


FIG. 5

600

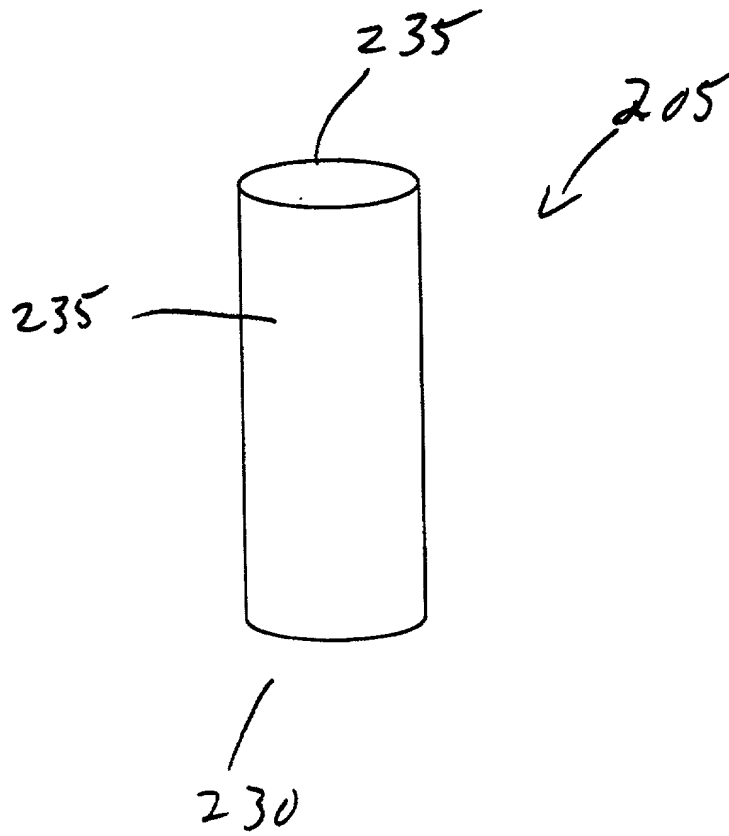


Fig. 6

FOR SEPARATION

6250650

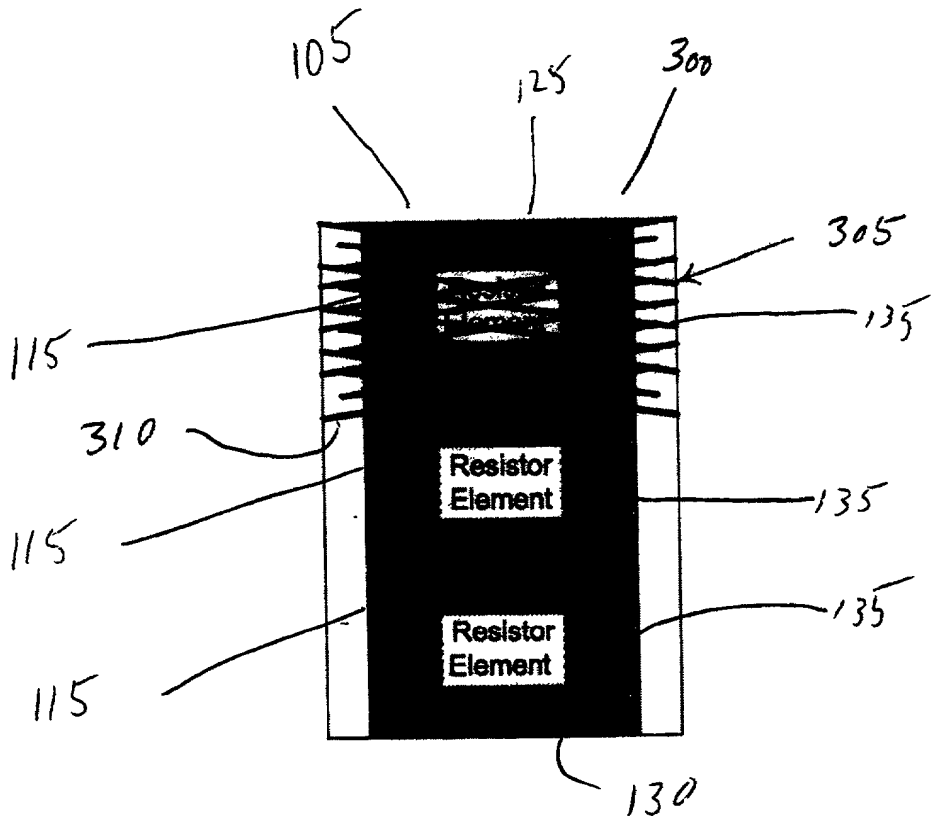


Fig. 7

FOR PUBLICATION

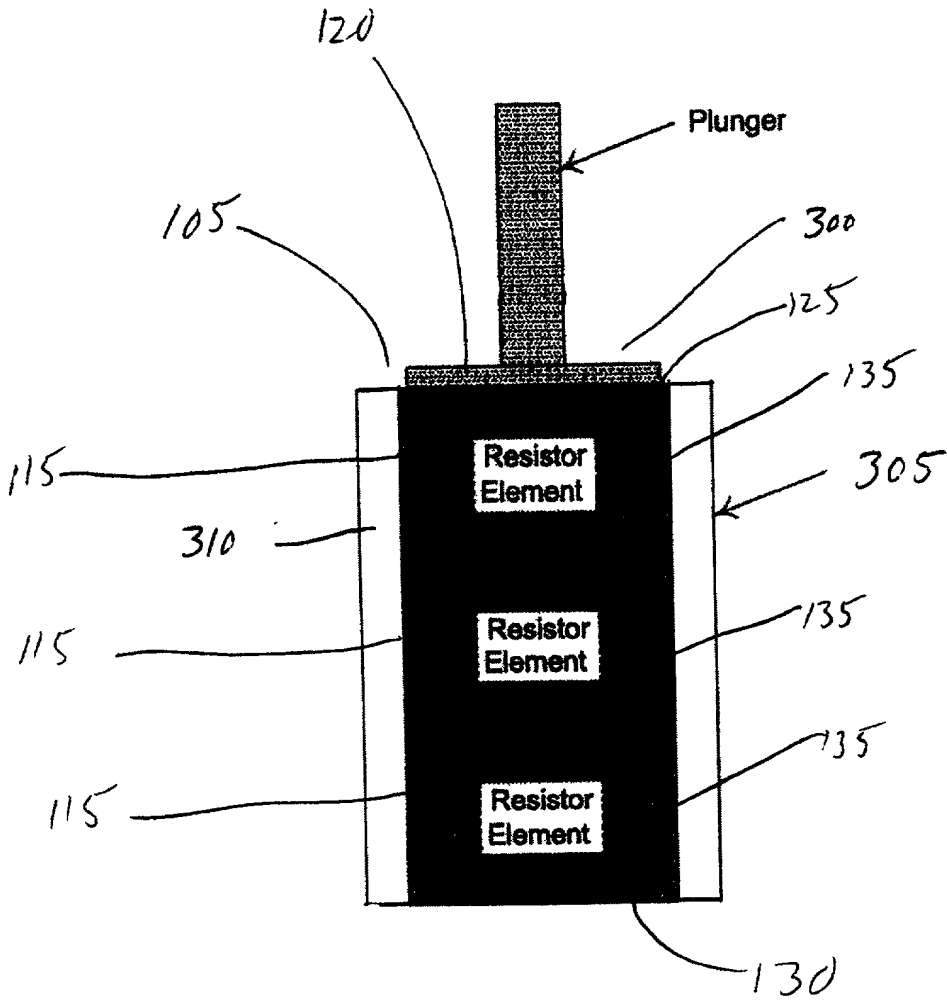


Fig. 8

Patent Pending

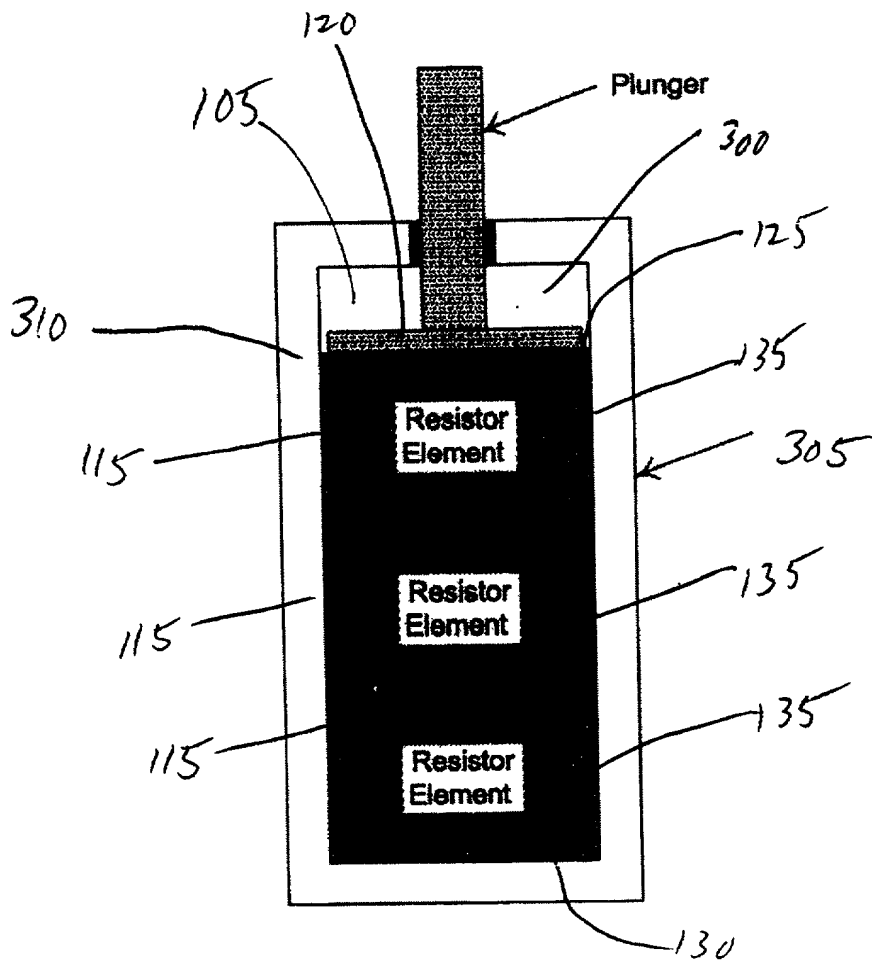


Fig. 9

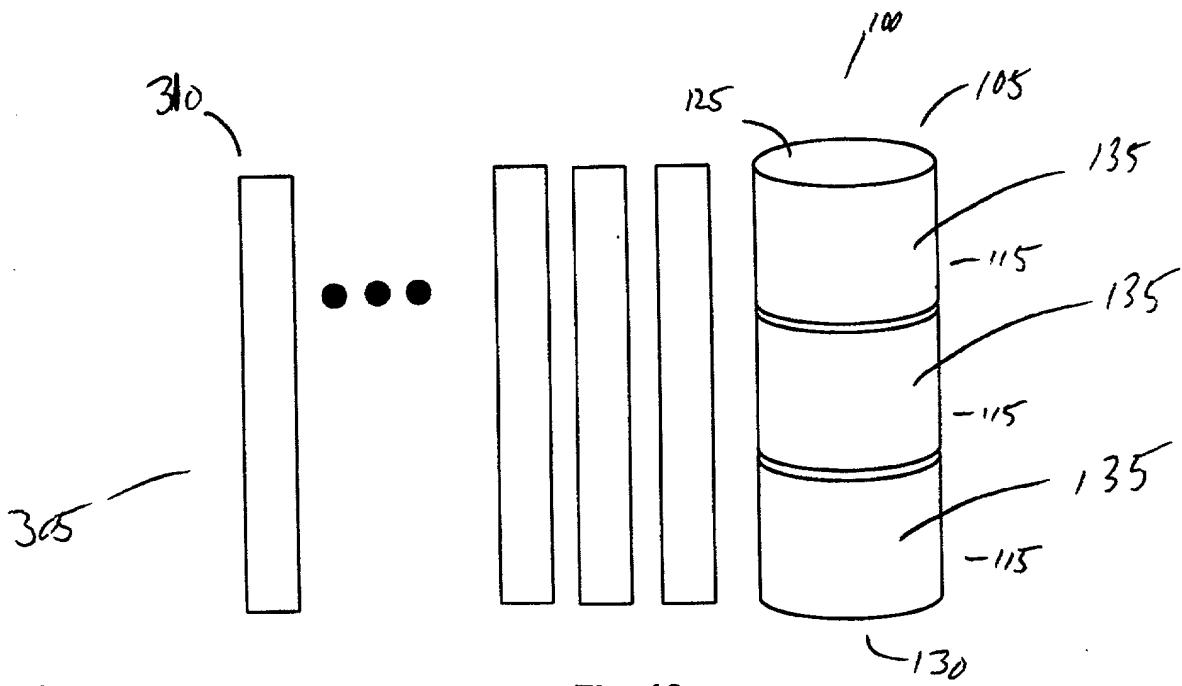


Fig. 10

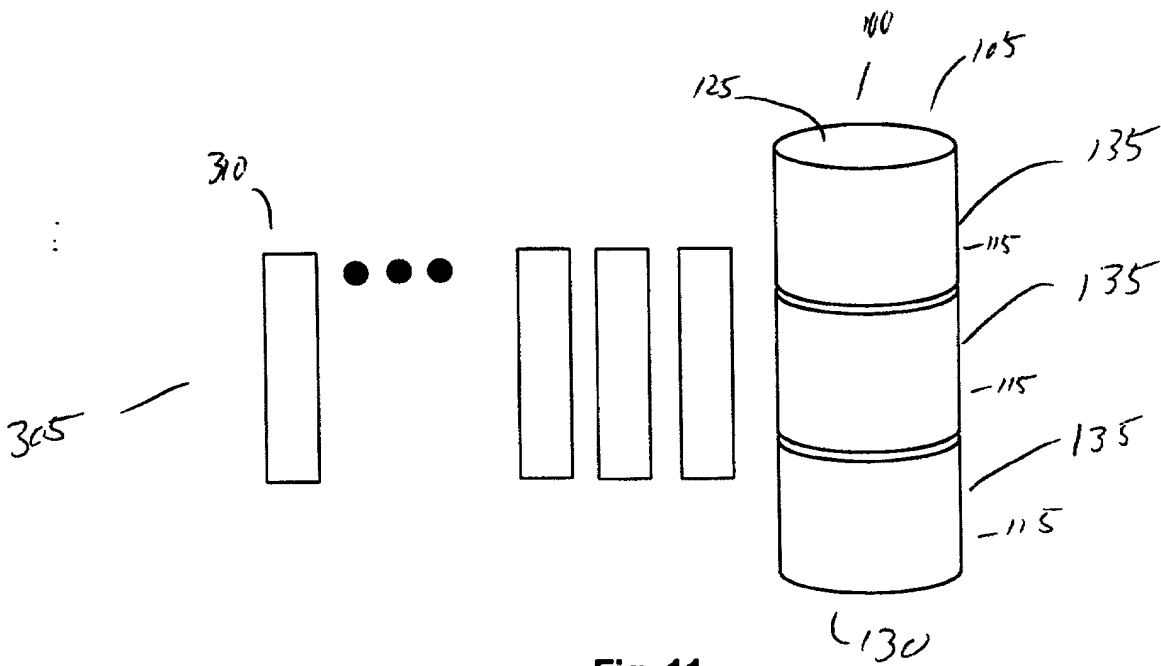


Fig. 11

FIG. 12 AND FIG. 13

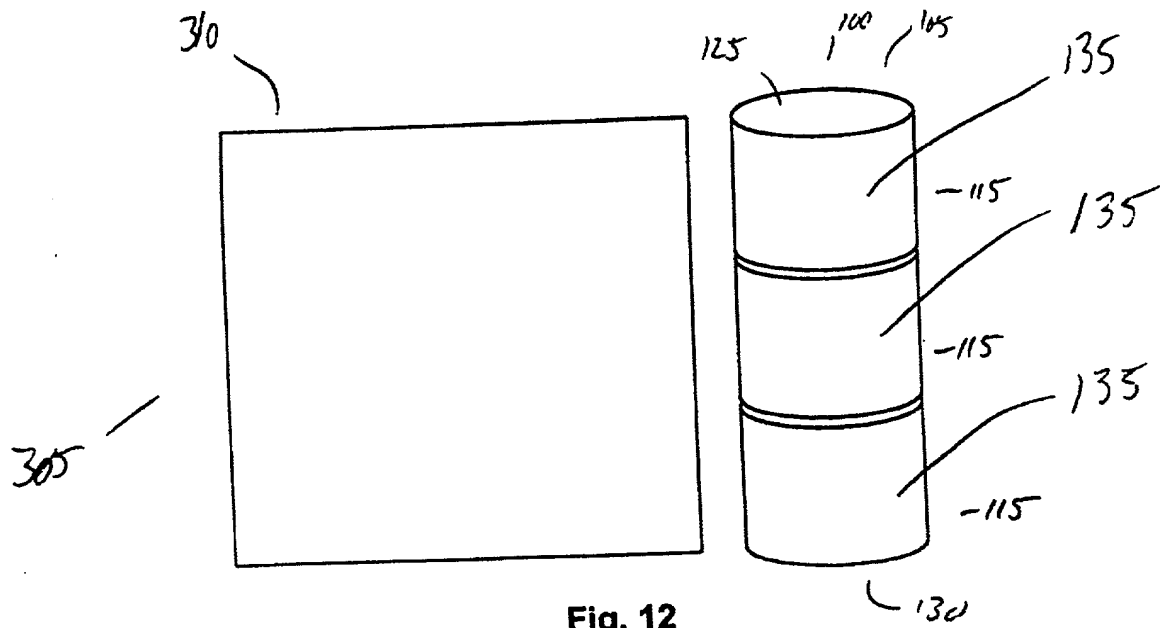


Fig. 12

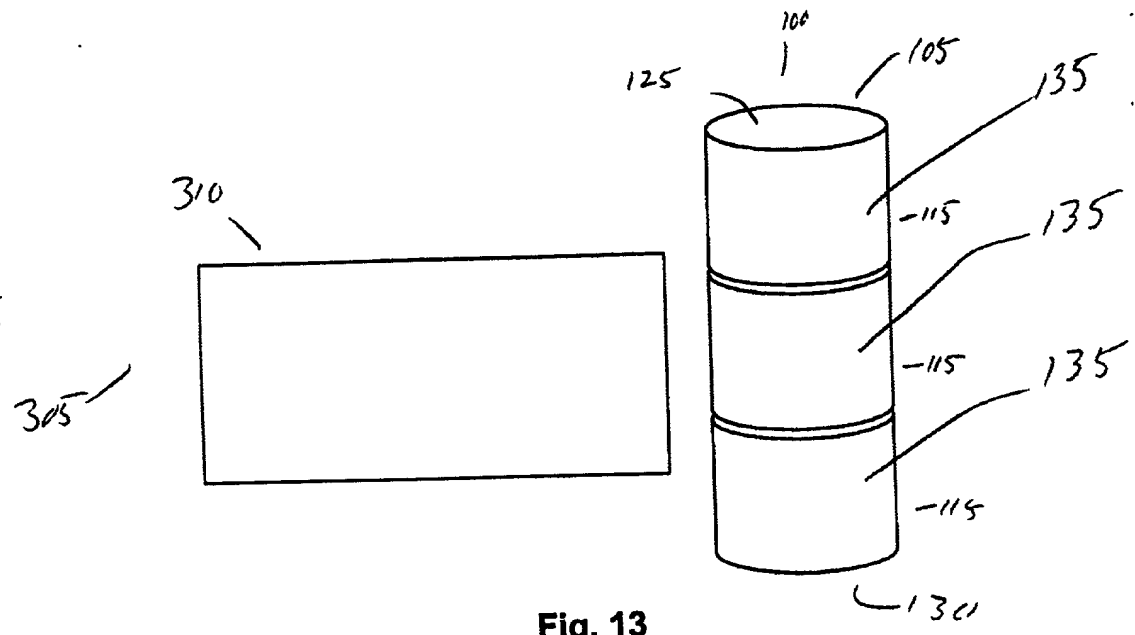


Fig. 13

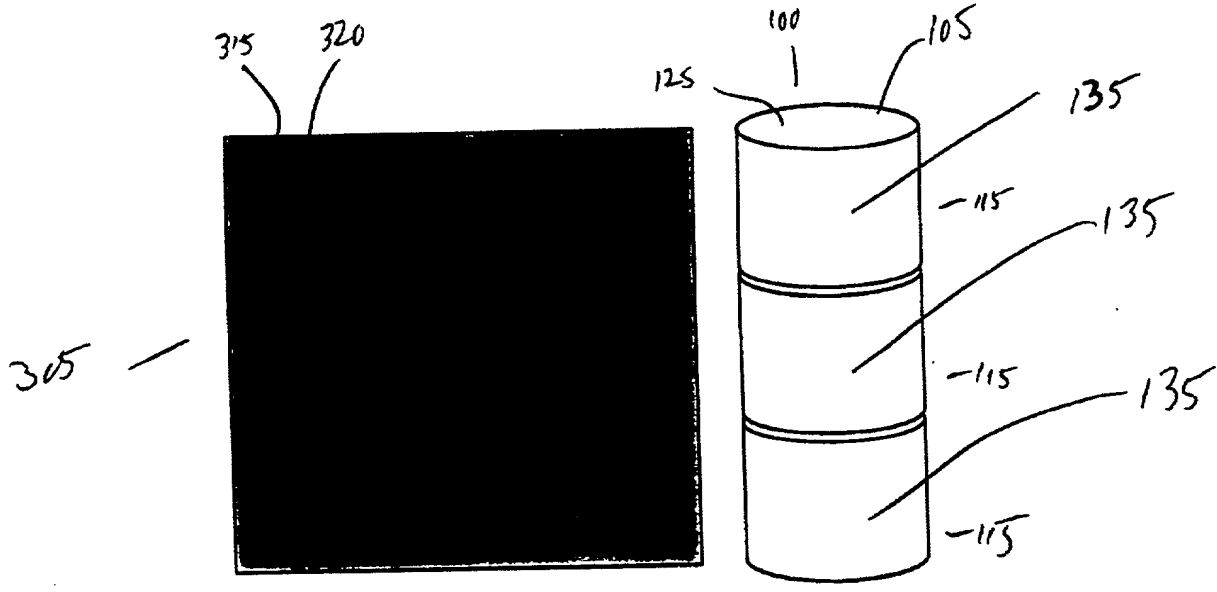


Fig. 14

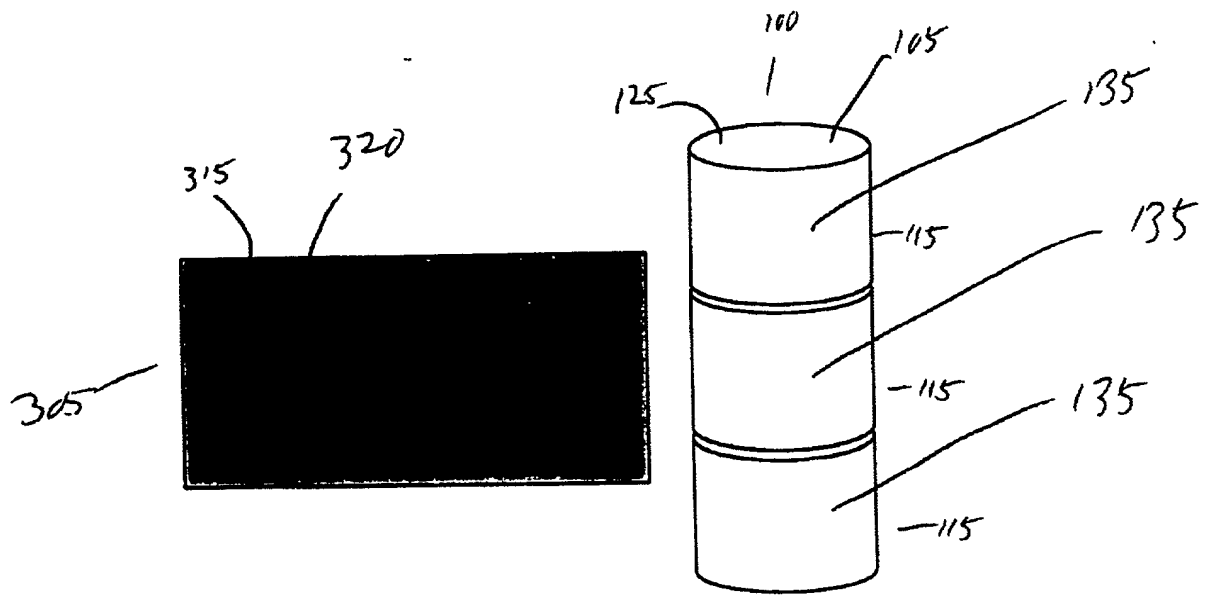


Fig. 15

Patent Office of the United States

FOR PUBLICATION

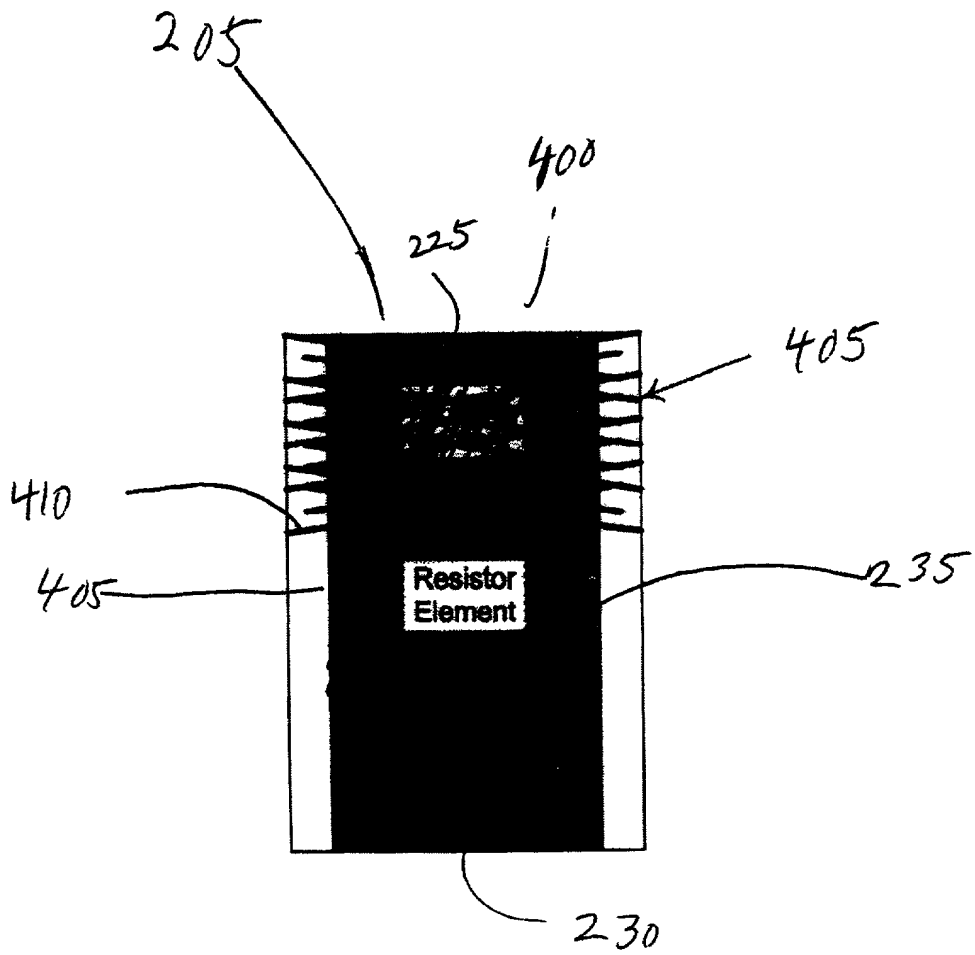
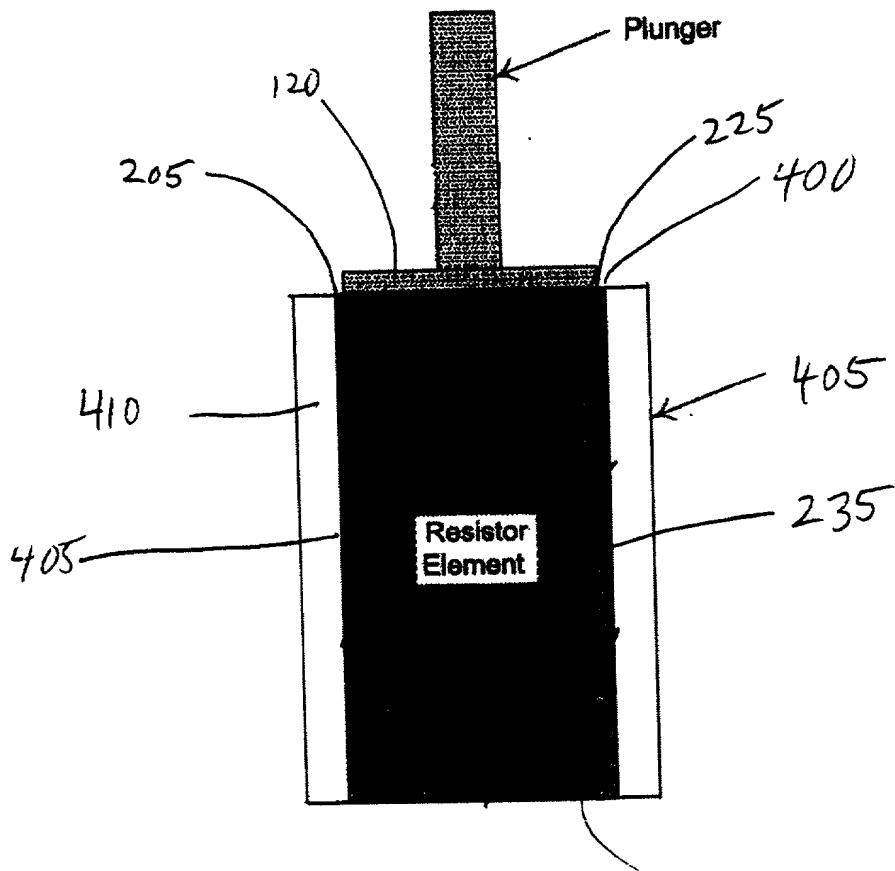


Fig. 16

FOR PUBLICATION



230
--

Fig 17

FIG. 18

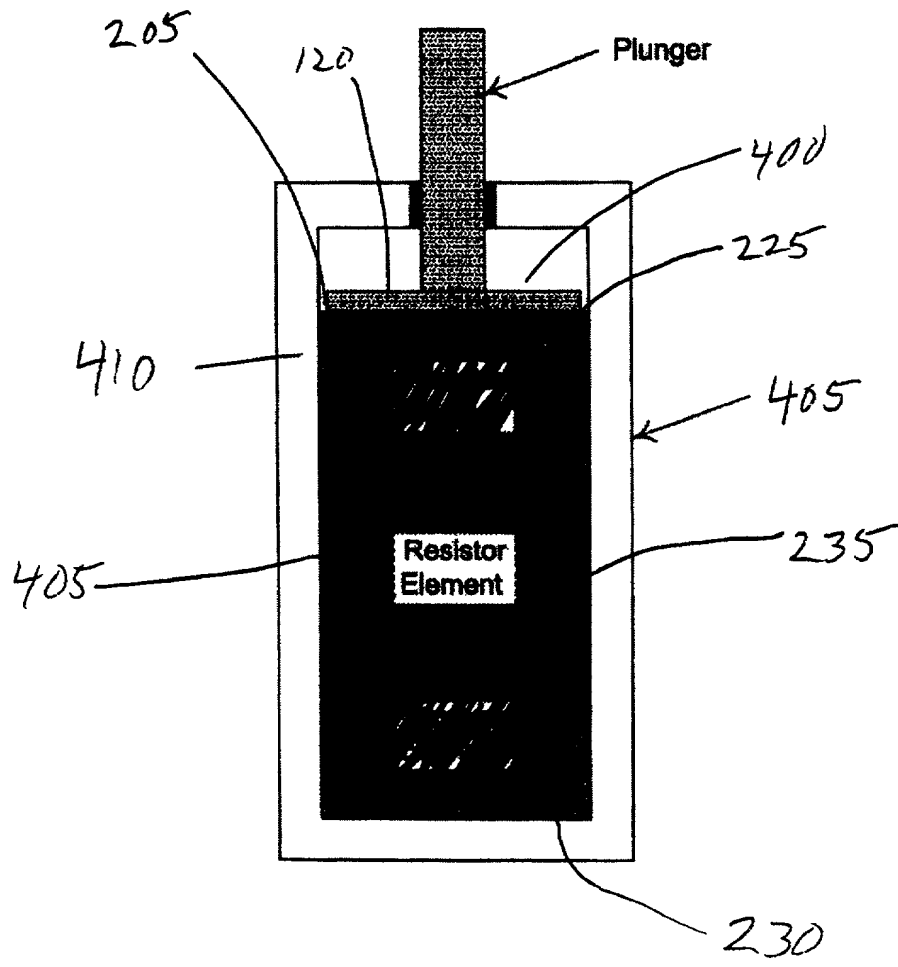


Fig. 18

405 410 400 225 205 235 230

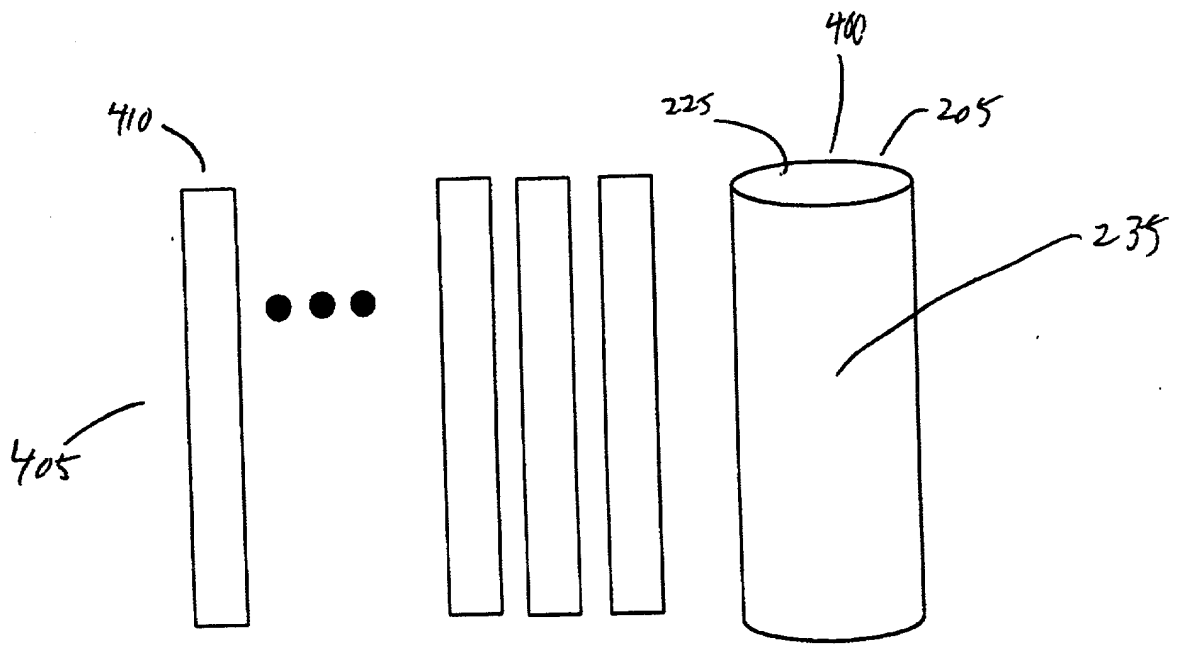


Fig. 19

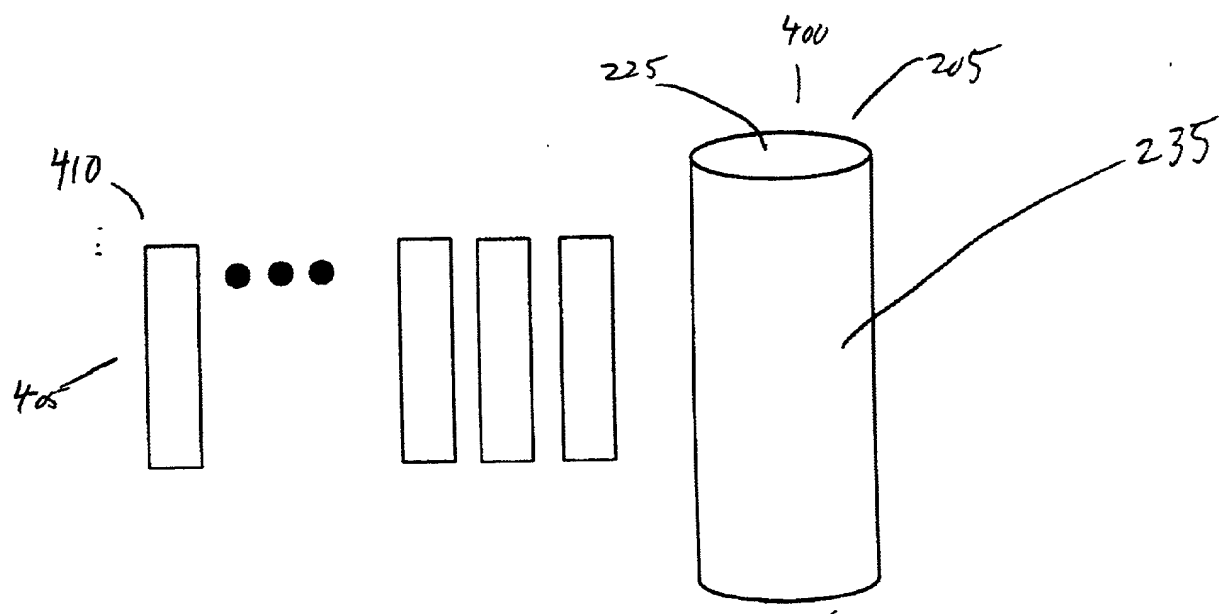


Fig. 20

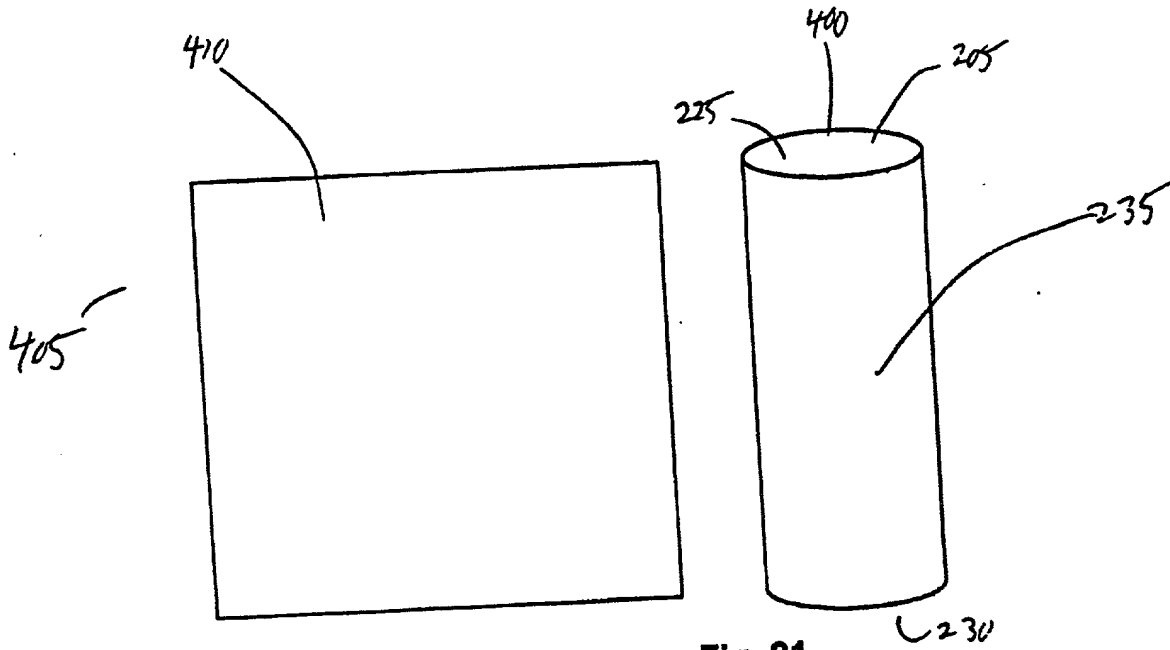


Fig. 21

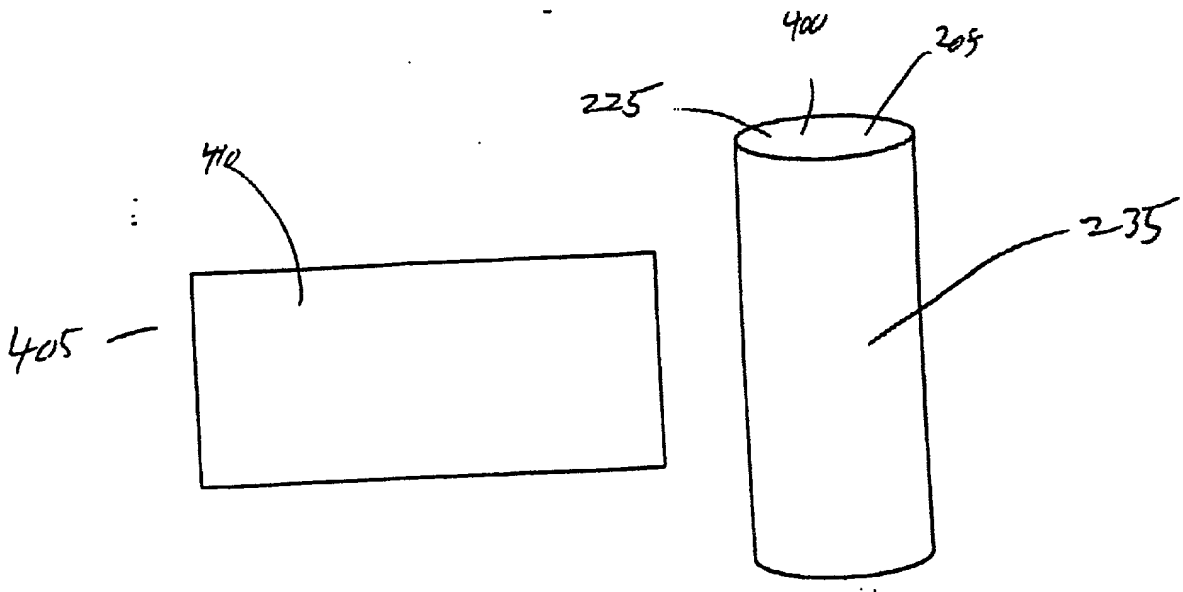


Fig. 22

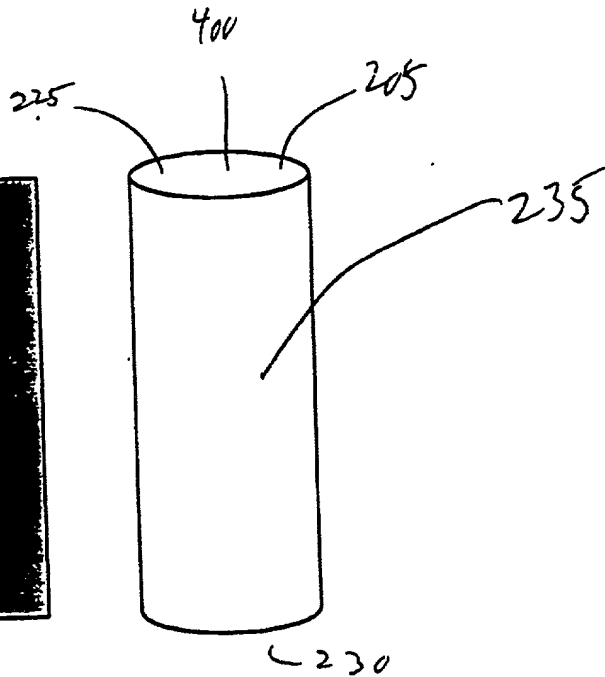
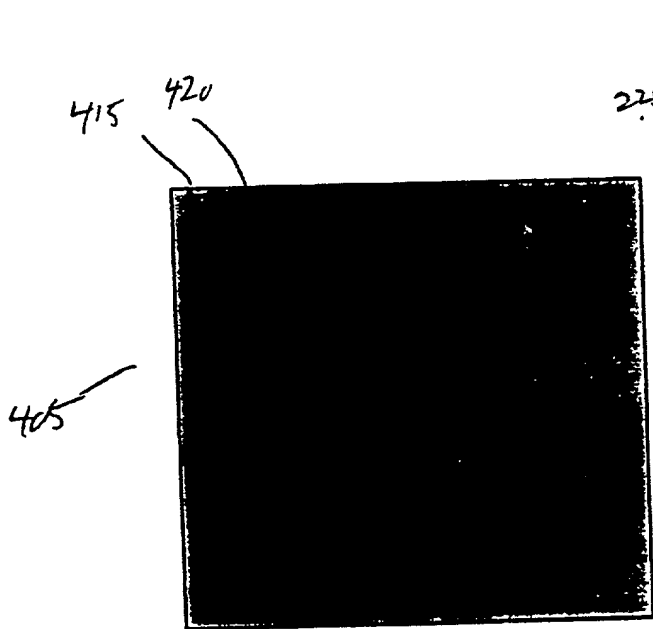


Fig. 23

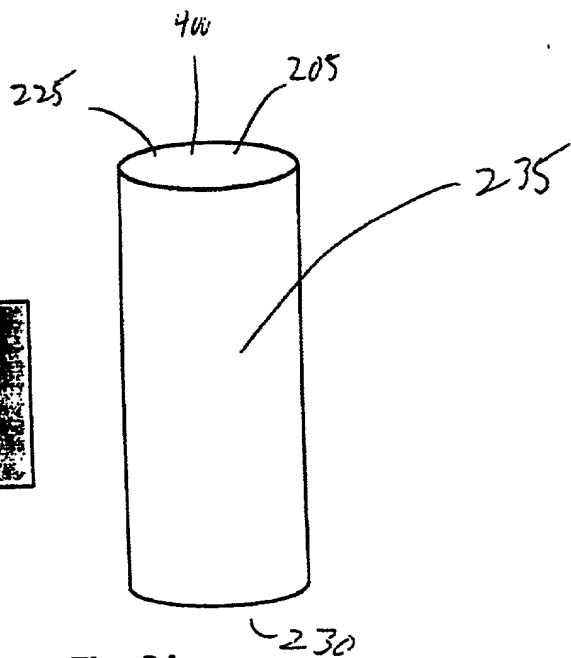
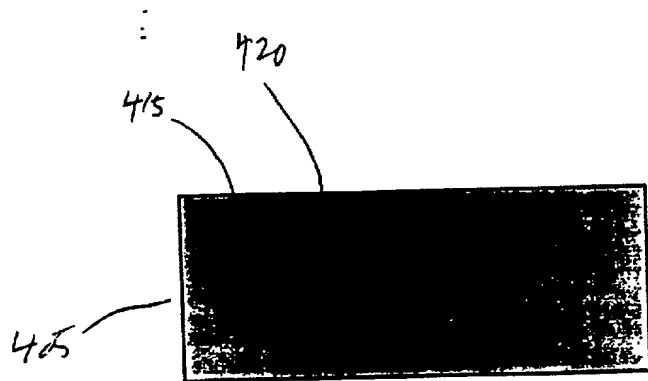


Fig. 24

500

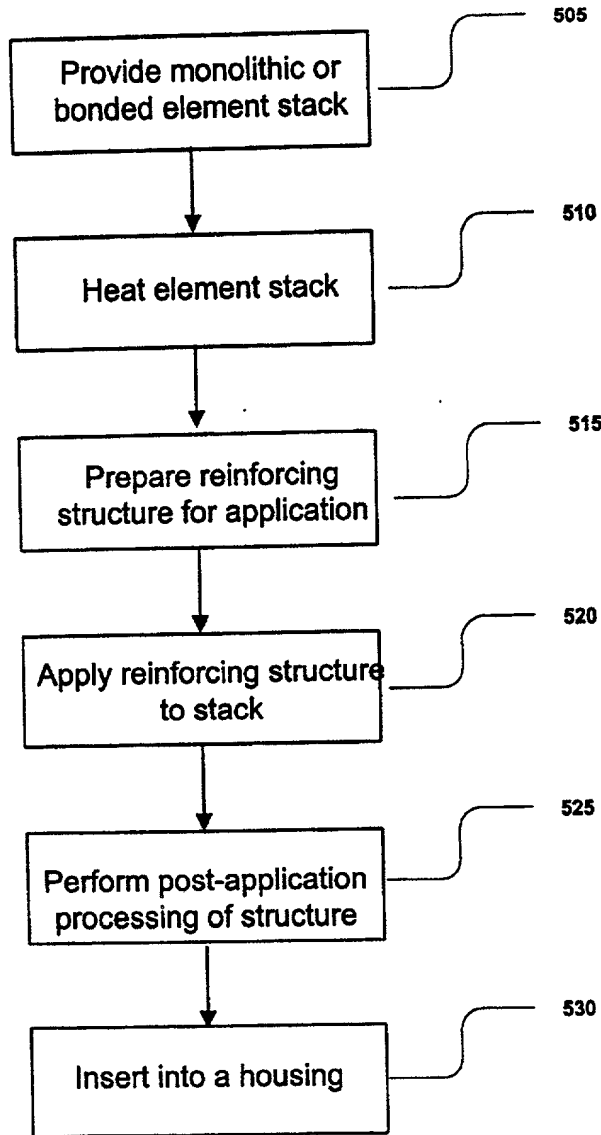


Fig. 25